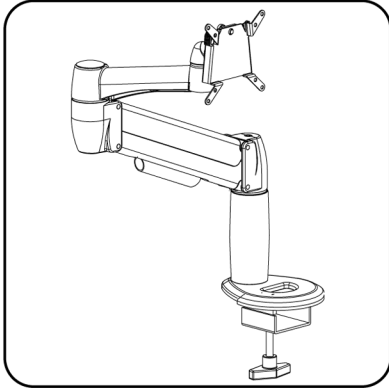


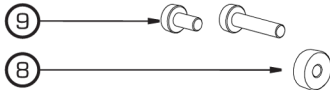
Space-arm Grommet BNESPGR



Required Tools:
17 mm Socket
5mm Allen Key
#2 Phillips Screwdriver

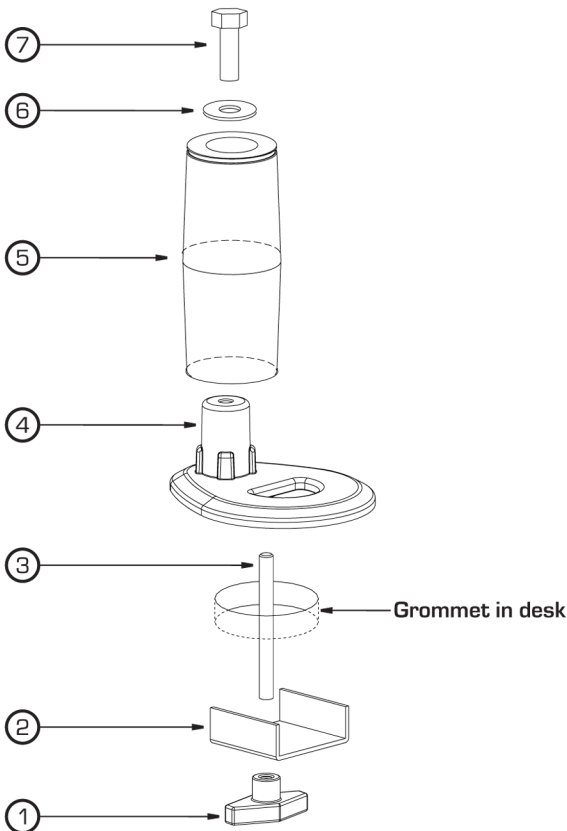
Contents

#	QTY	Part Name
1	01	Knob
2	01	"C" Channel
3	01	Treaded Rod
4	01	Grommet Baseplate
5	01	Double Hub
6	01	M10 Washer
7	01	M10 Bolt
8	04	Plastic Washer
9	08	Monitor Screws
10	02	Standard SpaceArm

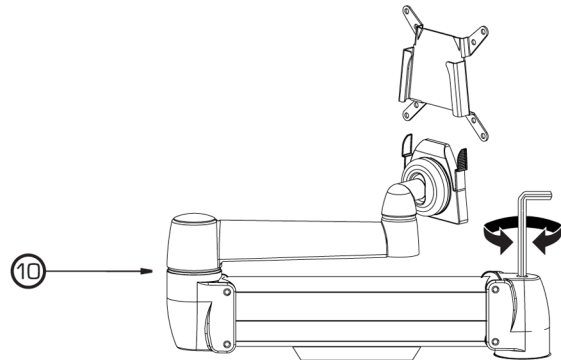


Monitor Mounting

Hardware package includes both short and long screws and plastic washers. The long screws & plastic washers should be used for recessed.



Adjusting Counter Balance
*Required Tool: 5mm Allen Wrench



Position Arm so it is parallel to desk surface.
Turn bolt clock wise for lighter monitors.

Cable Routing

