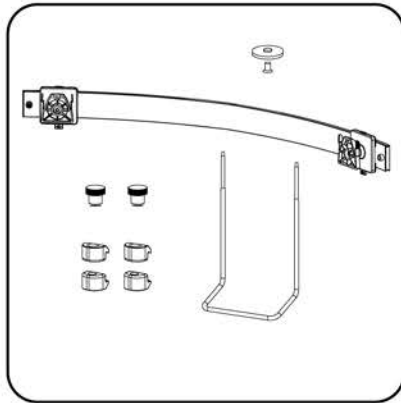


# Space-arm Beam Dual BNESPBD



## Required Tools:

M4 Allen wrench  
Phillips Screwdriver

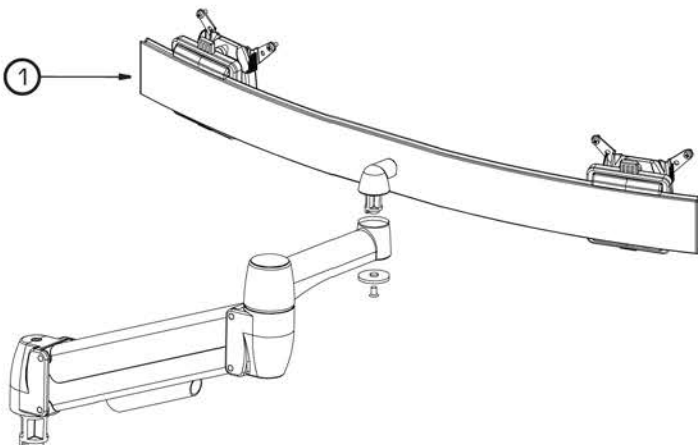
## Contents:

#	QTY	Part Name
1	01	Multiple Monitor Bracket
2	02	Handle Claw
3	02	Handle Cap
4	04	Handle
5	32	Monitor Screws
6	16	Plastic Washer

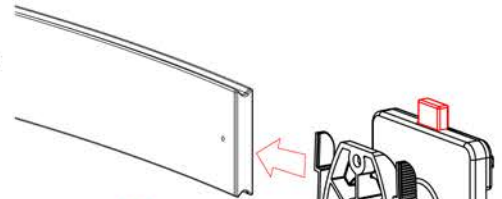


### Monitor Mounting

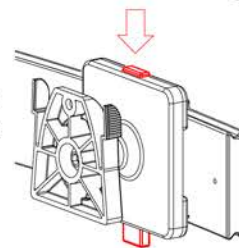
Hardware package includes both short and long screws and plastic washers. The long screws & plastic washers should be used for recessed monitor mounts.



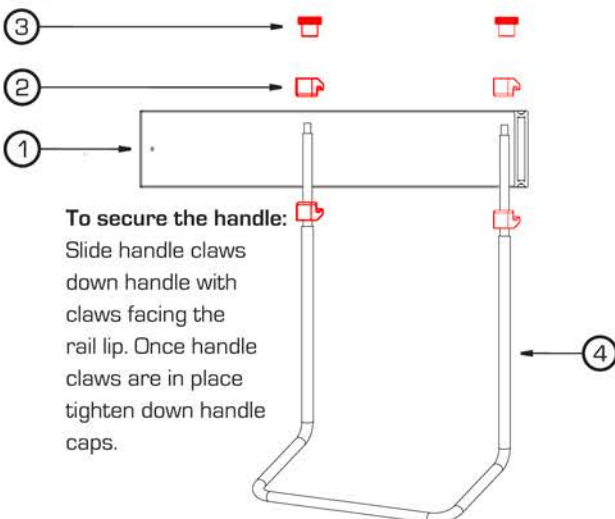
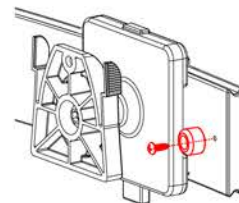
Slide mount onto rail with tab in up position



Push tab down to lock in place



Apply screw and rubber stop.



### To secure the handle:

Slide handle claws down handle with claws facing the rail lip. Once handle claws are in place tighten down handle caps.

